

Y maschio, girevole conico - RPY MR



Filettatura maschio

BSPT

R 1/8

Per tubo Ø est. (mm)

4

Pressione di utilizzo

0 a 10 bar

Temperatura

0°C a + 60°C

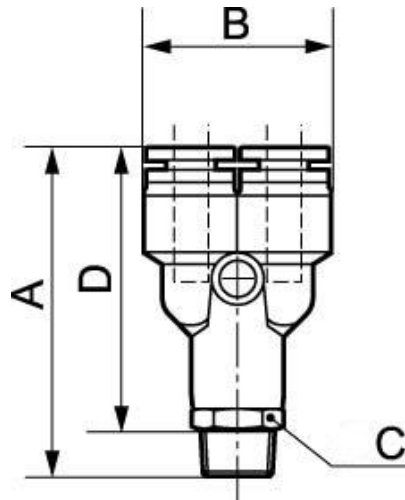
Materiale

Polimero e ottone nichelato

Descrizione

| Riferimento | Filettatura maschio BSPT | Per tubo Ø est. (mm) |
|-------------------|--------------------------|----------------------|
| RPY MR0400 | R 1/8 | 4 |
| RPY MR0401 | R 1/4 | 4 |
| RPY MR0500 | R 1/8 | 5 |
| RPY MR0501 | R 1/4 | 5 |
| RPY MR0502 | R 3/8 | 5 |
| RPY MR0503 | R 1/2 | 5 |
| RPY MR0600 | R 1/8 | 6 |
| RPY MR0601 | R 1/4 | 6 |
| RPY MR0602 | R 3/8 | 6 |

| Riferimento | Filettatura maschio BSPT | Per tubo Ø est. (mm) |
|-------------------|--------------------------|----------------------|
| RPY MR0603 | R 1/2 | 6 |
| RPY MR0800 | R 1/8 | 8 |
| RPY MR0801 | R 1/4 | 8 |
| RPY MR0802 | R 3/8 | 8 |
| RPY MR0803 | R 1/2 | 8 |
| RPY MR1000 | R 1/8 | 10 |
| RPY MR1001 | R 1/4 | 10 |
| RPY MR1002 | R 3/8 | 10 |
| RPY MR1003 | R 1/2 | 10 |
| RPY MR1201 | R 1/4 | 12 |
| RPY MR1202 | R 3/8 | 12 |
| RPY MR1203 | R 1/2 | 12 |
| RPY MR1402 | R 3/8 | 14 |
| RPY MR1403 | R 1/2 | 14 |
| RPY MR1602 | R 3/8 | 16 |
| RPY MR1603 | R 1/2 | 16 |



Dimensions

| Riferimento | A mm | B mm | C mm | D mm |
|-------------------|------|------|------|------|
| RPY MR0400 | 41.5 | 20 | 10 | 34 |
| RPY MR0401 | 43 | 20 | 14 | 34 |
| RPY MR0500 | 44 | 25.6 | 12 | 36.5 |
| RPY MR0501 | 45.5 | 25.6 | 14 | 36.5 |
| RPY MR0502 | 48 | 25.6 | 17 | 37 |
| RPY MR0503 | 50.5 | 25.6 | 21 | 37.5 |
| RPY MR0600 | 44 | 25.6 | 12 | 36.5 |
| RPY MR0601 | 45.5 | 25.6 | 14 | 36.5 |
| RPY MR0602 | 48 | 25.6 | 17 | 37 |
| RPY MR0603 | 50.5 | 25.6 | 21 | 37.5 |
| RPY MR0800 | 44.3 | 27.6 | 14 | 36.8 |
| RPY MR0801 | 45.8 | 27.6 | 14 | 36.8 |
| RPY MR0802 | 48.3 | 27.6 | 17 | 37.3 |
| RPY MR0803 | 50.8 | 27.6 | 21 | 37.8 |
| RPY MR1000 | 56.1 | 33.6 | 17 | 48.6 |
| RPY MR1001 | 57.6 | 33.6 | 17 | 48.6 |
| RPY MR1002 | 59.6 | 32.6 | 17 | 48.6 |

| Riferimento | A mm | B mm | C mm | D mm |
|-------------------|------|------|------|------|
| RPY MR1003 | 62.1 | 33.6 | 21 | 49.1 |
| RPY MR1201 | 60.8 | 39.6 | 19 | 51.8 |
| RPY MR1202 | 63.3 | 39.6 | 19 | 52.3 |
| RPY MR1203 | 65.3 | 39.6 | 21 | 52.3 |
| RPY MR1402 | 64.8 | 45.4 | 22 | 53.8 |
| RPY MR1403 | 66.8 | 45.4 | 22 | 53.8 |
| RPY MR1602 | 66.5 | 47.6 | 24 | 55.5 |
| RPY MR1603 | 68.5 | 47.6 | 24 | 55.5 |